

# Aerie

# THORN

96632916 ARW 18L105-740 RS CL-D CL1 W5 T76 ANT

LED 60W ARWCD18L105-740RS	ISO 12944 C5	IP66	IK10			
---------------------------	-----------------	------	------	--	--	--

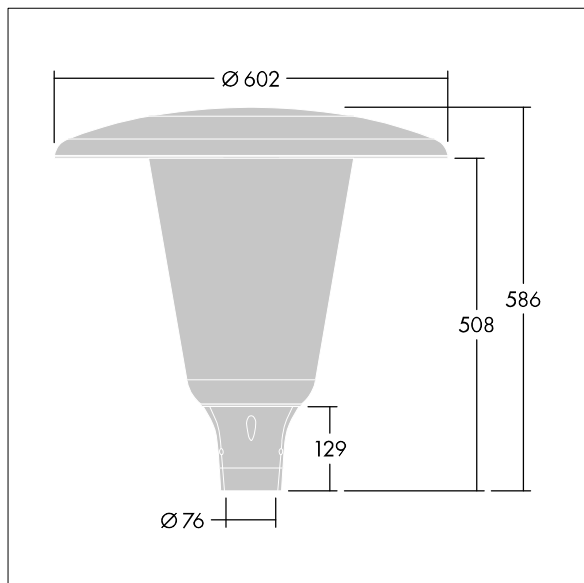
## Aerie

A discreet, post top LED lantern with a timeless design. LED driver for 18 LEDs, driven at 1050mA with radially symmetric distribution. Class I electrical, IP66, IK10. Canopy and base: corrosion resistant die-cast powder coated aluminium suitable for C5 environments, finished textured anthracite (close to RAL7043). Enclosure: wide UV stabilised polycarbonate with clear finish. Fitted with internal diffuser to reduce glare. Complete with 4000K LED. Post top mounting to Ø76mm column. Pre-wired with 5m cable.

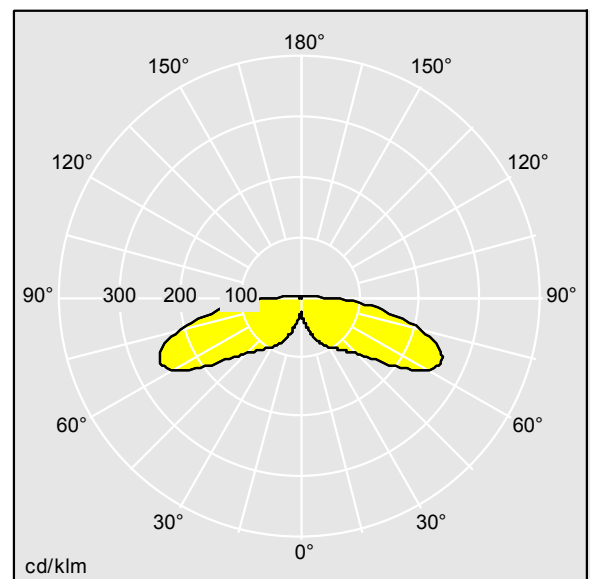
Dimensions: Ø602 x 586 mm  
Luminaire input power: 60 W  
Luminaire luminous flux: 6922 lm  
Luminaire efficacy: 115 lm/W  
Weight: 11.23 kg  
Scx: 0.172 m<sup>2</sup>



TLG\_AERI\_F\_W\_PR\_CL.jpg



TLG\_AERI\_M\_T76\_W.wmf



TL\_ARWCLD18L105RS740.ltd

Lamp position: STD - standard  
Light Source: LED  
Luminaire luminous flux\*: 6922 lm  
Luminaire efficacy\*: 115 lm/W  
Lamp efficacy: 115 lm/W  
Colour Rendering Index min.: 70

Ballast: 1 x 87500878 DRV TR LCO 60W 1.05A 100V  
D #ADV3 VAR  
Correlated colour temperature: 4000 Kelvin  
Chromaticity tolerance (initial MacAdam): 5  
Rated useful life (B10)\*:  
L90 100000h at 25°C  
Luminaire input power\*: 60 W Power factor = 0.97  
LOR: 1,00 ULOR: 0,02 DLOR: 0,98

All values marked with an \* are rated values. Thorn uses tried and tested components from leading suppliers, however there may be isolated instances of technology-related failures of individual LEDs during the rated product lifetime. International standards set the tolerance in initial flux and connected load at  $\pm 10\%$ . Unless stated otherwise, the values apply to an ambient temperature of 25°C.

In most products the failure of one LED point causes no functional impairment to the lighting performance of the luminaire and is therefore no reason for complaint. Unless otherwise stated all Thorn LED products are suitable for unrestricted use (rated RG0 or RG1) with regard photobiological blue light safety (IEC/EN60598-1).

Thorn Lighting is constantly developing and improving its products. The right is reserved to change specifications without prior notification or public announcement.  
© Thorn Lighting